

## R068 Micro Strip Connector

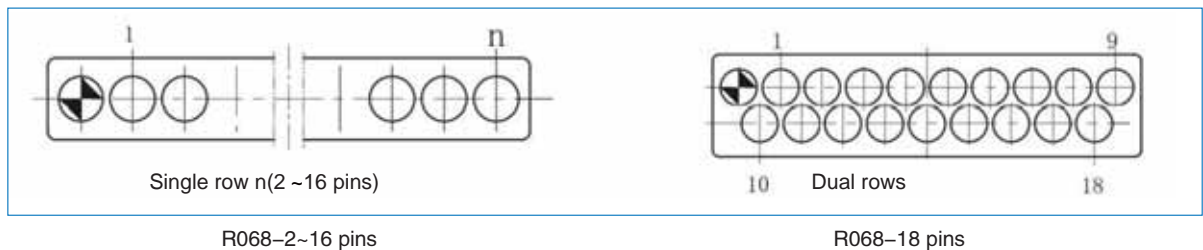
### Brief Introduction

- Contacts: 2, 3, 4, 5, 6, 7, 8, 9, 10, 11, 12, 13, 14, 15, 16, 18 pins.
- Twist pin contacts, high density interconnection.
- The receptacle with guid pin.
- The sectional area of cable core:  $0.1\text{mm}^2 \sim 0.15\text{mm}^2$
- Meet MIL-C-83513 standard

### Specification

- Environment temperature:  $-55^{\circ}\text{C} \sim 125^{\circ}\text{C}$
- Contact resistance:  $\leq 10\text{m}\Omega$
- Insulation resistance:  $\geq 5000\text{M}\Omega$
- Random Vibration: Power spectrum density  $0.4\text{G}^2/\text{Hz}$ , root mean square value of total acceleration  $23.1\text{G}$
- Vibration:  $10\text{Hz} \sim 2000\text{Hz}$ ,  $147\text{m/s}^2$
- Shock:  $735\text{m/s}^2$  6ms
- Dielectric strength: 800V
- Durability: 500 times

### Layout of receptacle



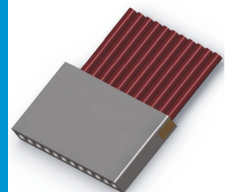
### How to order

Serial number      R068      -8      PI      Remark

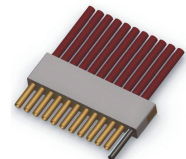
Contact: 2, 3, 4, 5, 6, 7, 8, 9, 10, 11, 12, 13, 14, 15, 16, 18 pins

Contact type:  
PI- pin in plug  
RH-socket in receptacle

Note: Remark means the covering is not included in the ordering information; please mark the cable type in the bracket, such as the sectional area, the length and the color of cable. If the relative of connecting cable is special, please give the connecting cable table



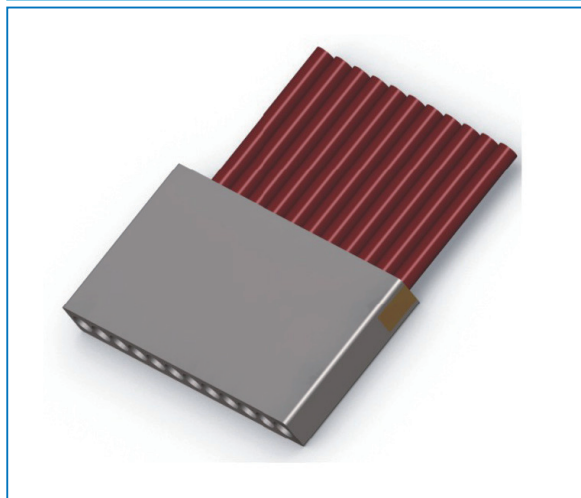
R068-11PI



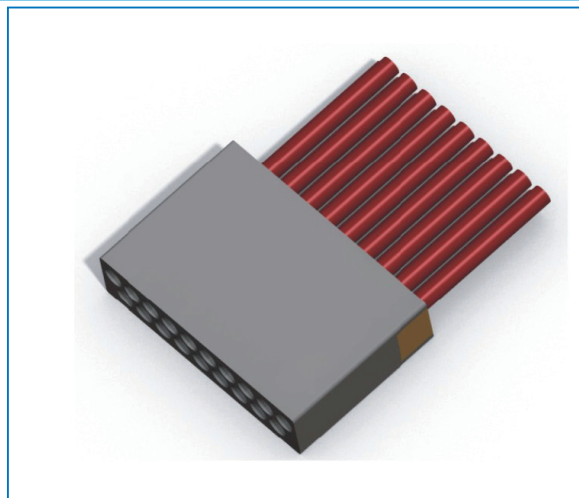
R068-11RH

## ■ Plug

### Product solid picture

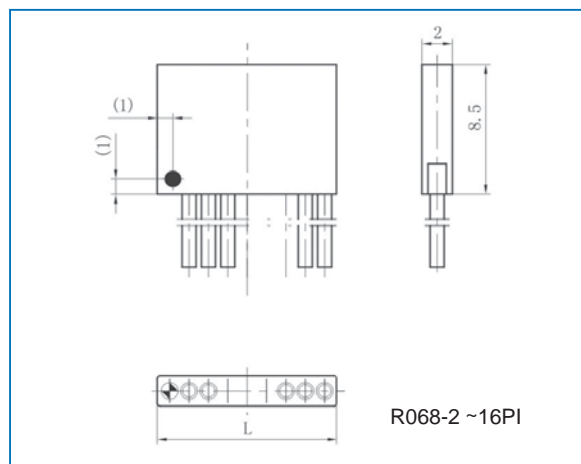


R068-11PI

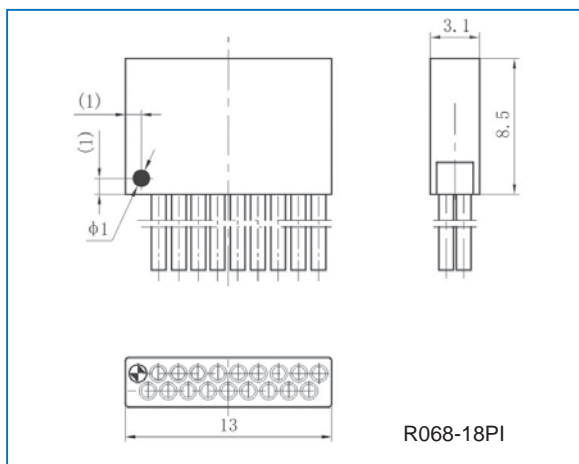


R068-18PI

### Appearance dimension



R068-2 ~16PI



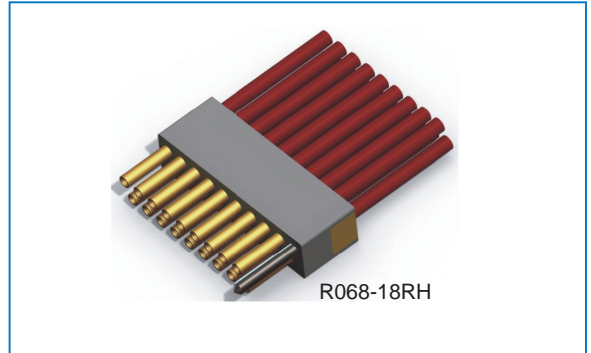
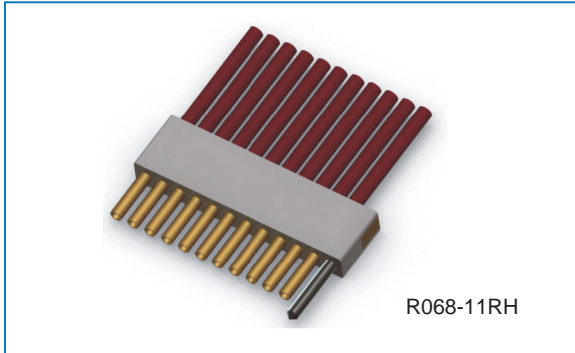
R068-18PI

Part no.	L	Part no.	L	Part no.	L	Part no.	L
R068-2PI	4.1	R068-6PI	9.3	R068-10PI	14.3	R068-14PI	19.4
R068-3PI	5.4	R068-7PI	10.5	R068-11PI	15.6	R068-15PI	20.6
R068-4PI	6.7	R068-8PI	11.8	R068-12PI	16.8	R068-16PI	21.9
R068-5PI	7.9	R068-9PI	13	R068-13PI	18.1		

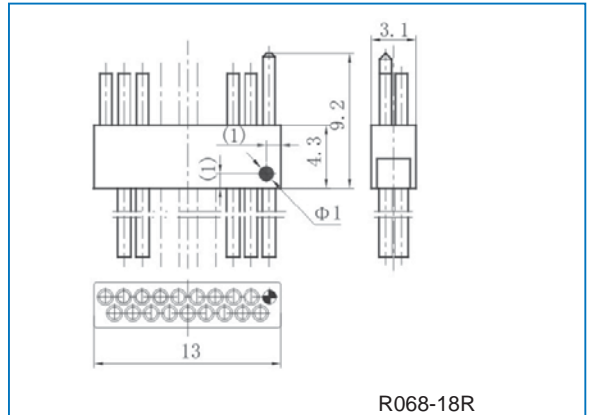
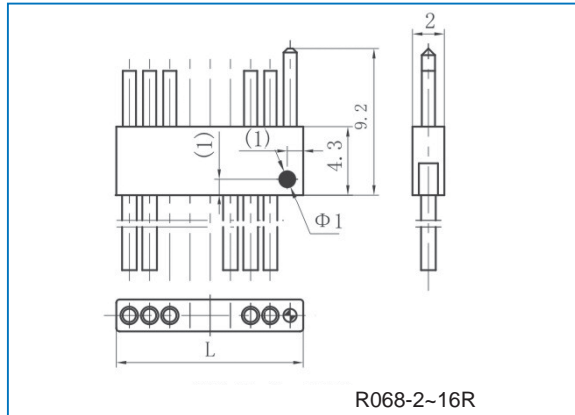
Note: Dimensions are shown in mm.

## ■ Receptacle

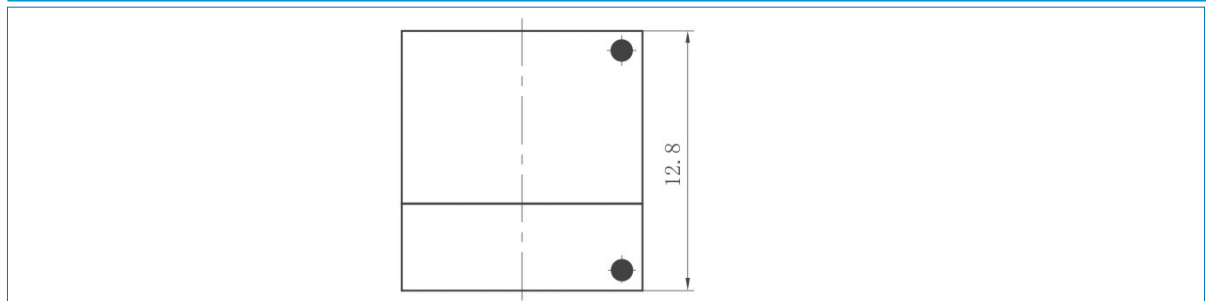
### Product solid picture



### Appearance dimension



### Appearance dimension after mating



Part no.	L	Part no.	L	Part no.	L	Part no.	L
R068-2RH	4.1	R068-6RH	9.3	R068-10RH	14.3	R068-14RH	19.4
R068-3RH	5.4	R068-7RH	10.5	R068-11RH	15.6	R068-15RH	20.6
R068-4RH	6.7	R068-8RH	11.8	R068-12RH	16.8	R068-16RH	21.9
R068-5RH	7.9	R068-9RH	13	R068-13RH	18.1		

Note: Dimensions are shown in mm.